

- 1.0 MONITOR PART NUMBER 6722-01
- 2.0 CLASSIFICATION OSCILLATOR, CRYSTAL, VOLTAGE CONTROLLED
- 3.0 ELECTRICAL CHARACTERISTICS (NOTE 1)
- 3.1 NOMINAL FREQUENCY 67.108864 MHz
- 3.1.1 CALIBRATION TOLERANCE ±25 PPM AT +25°C ±3°C WITH VC = 2.50 VDC ±0.05 VDC
- 3.1.2 ADJUSTMENT RANGE \_\_\_\_\_
- 3.1.3 STABILITY
- 3.1.3.1 FREQUENCY vs AMBIENT 25 PPM FROM +10°C TO +70°C REF AT 25°C AFTER 30 MIN WARM-UP
- 3.1.3.2 FREQUENCY vs VOLTAGE ±0.5 PPM / 5% V MAX
- 3.1.3.3 FREQUENCY vs LOAD ±0.5 PPM / 5% MAX
- 3.1.3.4 FREQUENCY vs TIME ±10 PPM / YEAR
- 3.1.3.4.1 SHORT TERM 0.01 PPM / 1 SECOND
- 3.1.3.4.2 LONG TERM 30 PPM MAX OVER 10 YEARS
- 3.1.4 PHASE NOISE, 1 Hz BANDWIDTH
- 45 dBc AT 1 Hz OFFSET
- 75 dBc AT 10Hz OFFSET
- 105 dBc AT 100 Hz OFFSET
- 120 dBc AT 1k Hz OFFSET
- 130 dBc AT 10k Hz OFFSET
- 3.2 WAVE FORM ADVANCED CMOS
- 3.2.1 SYMMETRY/THD 50% ±10% AT VCC/2
- 3.2.2 AMPLITUDE LOGIC "0" = 0.5 MAX / LOGIC "1" = VCC-0.5 V MIN
- 3.2.3 RISE/FALL TIME 8nSEC MAX
- 3.2.4 LOAD 4 ACT BUFFER INPUTS, APPROX 25 pF
- 3.3 VCCD TRANSFER CHARACTERISTICS
- 3.3.1 TOTAL FREQUENCY CHANGE ±75 PPM MIN / ±200 PPM MAX
- 3.3.2 CONTROL VOLTAGE RANGE +0.50 VDC TO +4.50 VDC
- 3.3.3 TRANSFER COEFFICIENT and SENSE \_\_\_\_\_
- 3.3.4 LINEARITY 35% MAX
- 3.3.5 MODULATION RATE/RESPONSE \_\_\_\_\_
- 3.4 POWER INPUT
- 3.4.1 OSCILLATOR VOLTAGE/CURRENT +5.00 VDC ±5% / 50mA MAX
- 4.0 ENVIRONMENTAL
- 4.1 AMBIENT TEMPERATURE RANGE
- 4.1.1 OPERATING +10°C TO +70°C
- 4.1.2 STORAGE -40°C TO +85°C
- 4.2 VIBRATION 10-55 Hz 0.080 DA 55Hz - 2000Hz 20Gs
- 4.3 SHOCK 1000Gz 0.33ms 1/2 SINE 3 SHOCKS EACH PLANE
- 4.4 HUMIDITY \_\_\_\_\_
- 4.5 OTHER \_\_\_\_\_

NOTE 1 - ALL PERFORMANCE FIGURES ARE MEASURED UNDER THE FOLLOWING TEST CONDITION

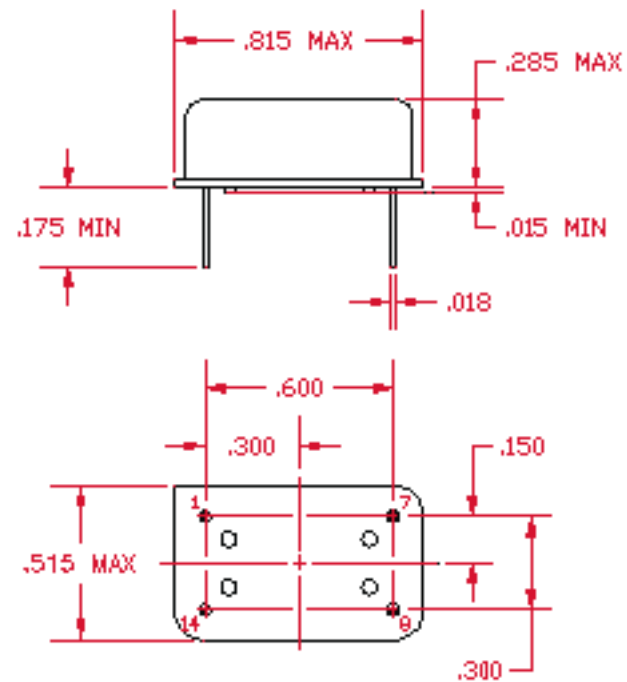
A. AMBIENT TEMP. +25°C±5°C EXCEPT PARA 3.1.3.1

B. INPUT VOLTAGES: NOMINAL ±1% EXCEPT PARA 3.1.3.2.

## NOTES

1. APPLICABLE STANDARDS/SPECIFICATIONS  
ANSI Y14.5M-1982, DIMENSIONS AND TOLERANCES
2. PIN NUMBERS ARE FOR REFERENCE ONLY

6722-01



CONVERSION TABLE	
INCH	MM
.015	.38
.018	.46
.150	3.81
.175	4.45
.285	7.24
.300	7.62
.515	13.08
.600	15.24
.815	20.70

## 5.0 MECHANICAL

### 5.1 MATERIAL/FINISH

- 5.1.1 BASE KOVAR/NICKEL
- 5.1.2 LEADS CRS/SOLDER DIP
- 5.1.3 CASE NICKEL PLATED STEEL

### 5.2 SEAL HERMETICALLY SEAL PER MID-STD-202

### 5.3 PIN CONNECTION METHOD 112 COND G

- 1 FREQ ADJ.
- 7 GROUND
- 8 OUTPUT
- 14 +5VDC

**MONITOR**  
**PRODUCTS**  
**PC COMPANY INC**  
A BOWTHORPE company

502 Via del Monte, Oceanside, CA 92054  
Tel: 760 433-4510 Fax: 434-0255