

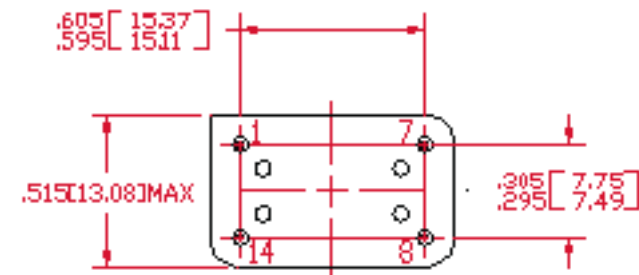
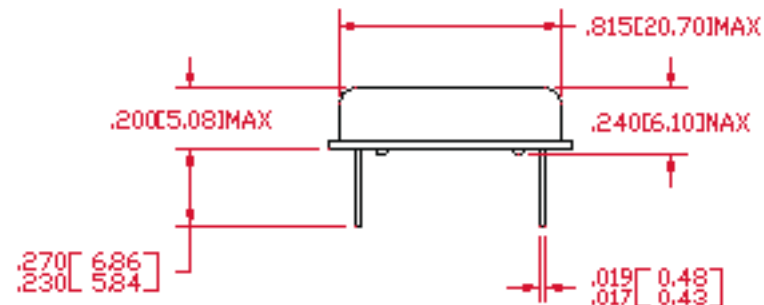
- 1.0 MONITOR PART NUMBER 8732-01
- 2.0 CLASSIFICATION OSCILLATOR, CRYSTAL, VOLTAGE CONTROLLED
- 3.0 ELECTRICAL CHARACTERISTICS (NOTE 1)
- 3.1 NOMINAL FREQUENCY 12.352 MHz
- 3.1.1 CALIBRATION TOLERANCE \_\_\_\_\_
- 3.1.2 ADJUSTMENT RANGE \_\_\_\_\_
- 3.1.2.1 ADJUSTMENT RESOLUTION \_\_\_\_\_
- 3.1.3 STABILITY
- 3.1.3.1 FREQUENCY vs AMBIENT ±50 PPM / -40°C TO +85°C
- 3.1.3.2 FREQUENCY vs VOLTAGE \_\_\_\_\_
- 3.1.3.3 FREQUENCY vs LOAD \_\_\_\_\_
- 3.1.3.4 FREQUENCY vs TIME
- 3.1.3.4.1 SHORT TERM 1 x 10E-9 / 100ms MAX
- 3.1.3.4.2 LONG TERM 30 PPM MAX OVER 10 YRS
- 3.1.3.4.3 PHASE JITTER LESS THAN 0.2ns
- 3.1.3.4.4 WARM UP TIME 1 SEC MAX
- 3.2 WAVE FORM HCMOS / TTL
- 3.2.1 SYMMETRY/THD 50±10%
- 3.2.2 AMPLITUDE HCMOS: LOGIC "0" = 0.1 x Vcc MAX / LOGIC "1" = 0.9 x Vcc MIN  
TTL: LOGIC "1" = 2.4V MIN
- 3.2.3 RISE/FALL TIME 6ns MAX
- 3.2.4 LOAD HCMOS = 50pF / TTL = 10 TTL LOADS
- 3.3 VCXO TRANSFER CHARACTERISTICS
- 3.3.1 TOTAL FREQUENCY CHANGE -40°C TO +85°C
- 3.3.2 CONTROL VOLTAGE RANGE 0.2V TO 4.0V CENTER VOLTAGE = 1.3V TO 2.3V
- 3.3.3 TRANSFER COEFFICIENT and SENSE POSITIVE SENSE
- 3.3.4 LINEARITY ±10%
- 3.3.5 MODULATION RATE/RESPONSE 10KHz OR GREATER
- 3.4 POWER INPUT
- 3.4.1 OSCILLATOR VOLTAGE/CURRENT +5.00 VDC ±10 / 50mA MAX
- 4.0 ENVIRONMENTAL
- 4.1 AMBIENT TEMPERATURE RANGE
- 4.1.1 OPERATING -40°C TO +85°C
- 4.1.2 STORAGE \_\_\_\_\_
- 4.2 VIBRATION 10-55Hz 0.060 DIA 55Hz -200Hz 20G's
- 4.3 SHOCK 1000G's 0.35ms 1/2 SINE 3 SHOCKS EACH PLANE
- 4.4 HUMIDITY 85% RH AT 85°C 1000 HRS
- 4.5 OTHER \_\_\_\_\_

NOTE 1 - ALL PERFORMANCE FIGURES ARE MEASURED UNDER THE FOLLOWING TEST  
 A. AMBIENT TEMP. +25°C±5°C EXCEPT PARA 3.1.3.1 CONDITION  
 B. INPUT VOLTAGES: NOMINAL ±1% EXCEPT PARA 3.1.3.2.

NOTES:

8732-01

1. APPLICABLE STANDARDS/SPECIFICATION  
ANSI Y14.5M-1982, DIMENSIONS AND TOLERANCES
2. DIMENSIONS IN BRACKETS ARE METRIC
3. PIN NUMBERS ARE FOR REFERENCE ONLY



- 5.0 MECHANICAL
- 5.1 MATERIAL/FINISH \_\_\_\_\_
- 5.2 PIN CONNECTION
1. CONTROL
  7. GROUND/CASE
  8. OUTPUT
  14. Vcc



502 Via del Monte, Oceanside, CA 92054  
 Tel: 760 433-4510 Fax: 434-0255